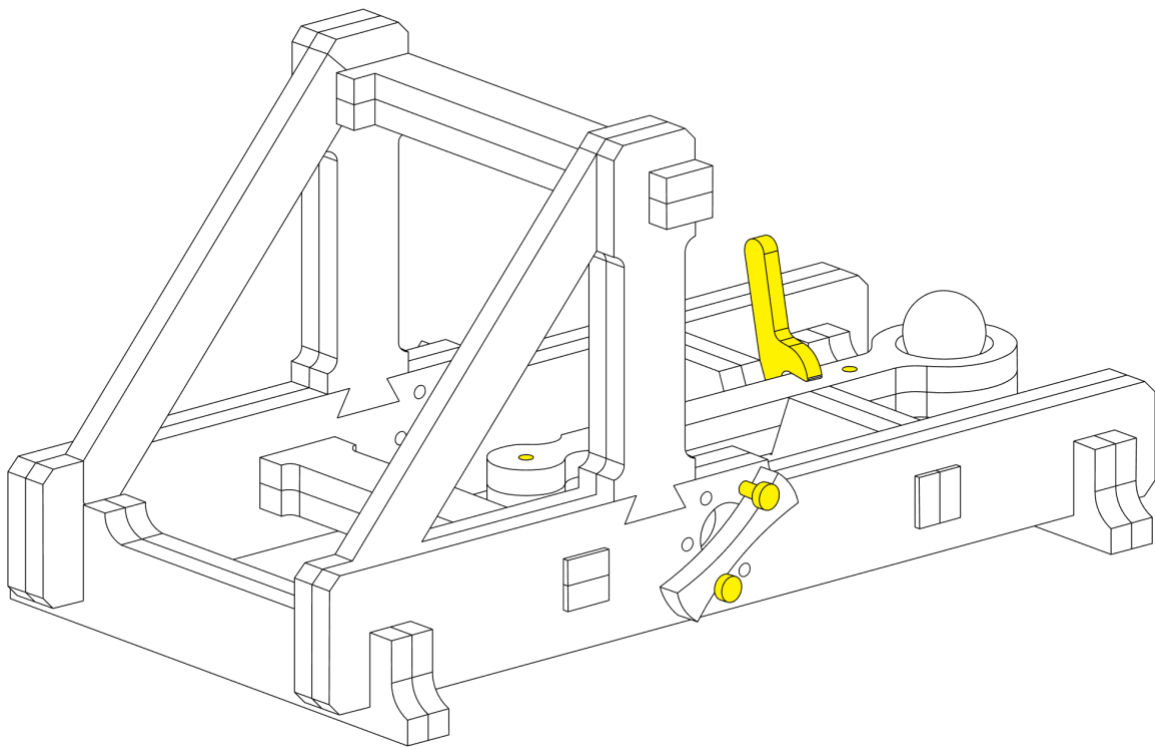


INSTRUCTION MANUAL

BASIC SERIES

CATAPULT KIT

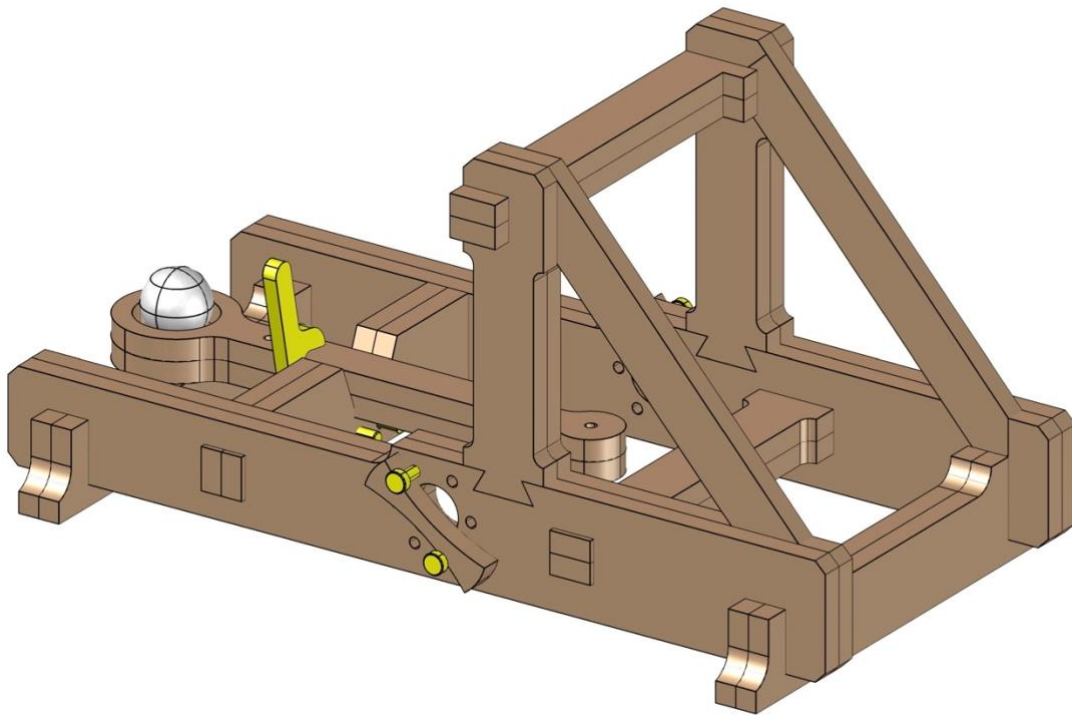


Warning






This kit contains small pieces. Keep away from children.
Do not aim at other people, pets, or yourself. Do not use this kit to launch sharp objects or anything that harms you or anyone else.

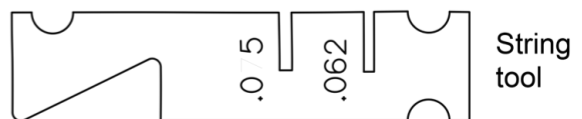
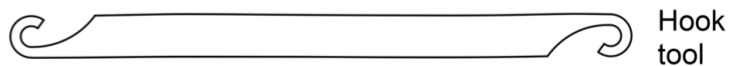
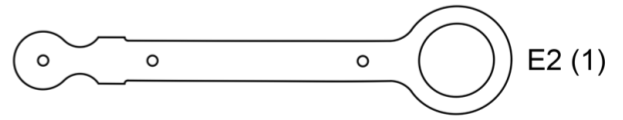
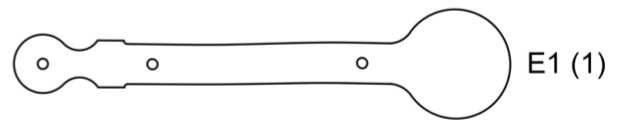
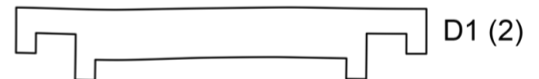
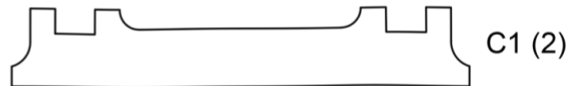
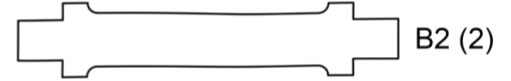
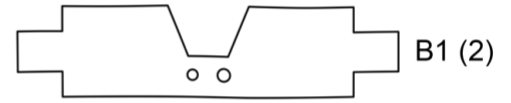
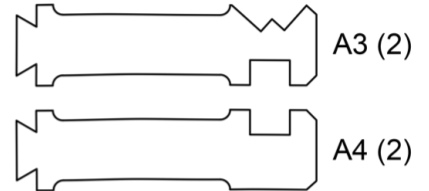
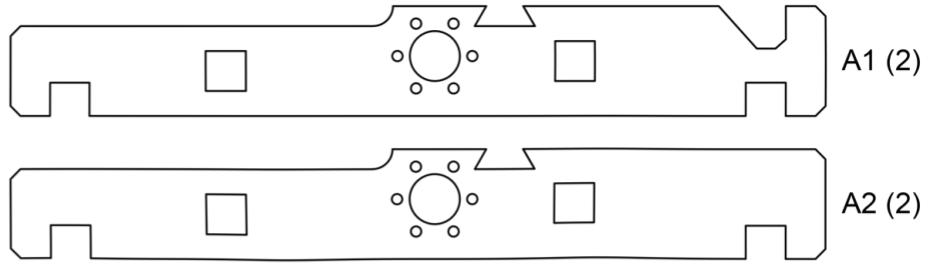
Table of contents

Section #	Name (est. time)	Page #
Section 1	– Wood Parts (min.)	
Section 2	– String (min.)	
Section 3	– Operation (min.)	



Basic Catapult Parts List

-  Catapult trigger (1)
-  .062 x .240 pin (3)
-  .062 x .480 pin (1)
-  .062 x .360 flathead pin (4)
-  .075 x .350 flathead pin (1)



What's Needed:

- Hammer (for gently tapping brass pins into place)
- Scissors (to cut string)
- Superglue (to secure knots in the string)

Tips before you get started:

- Lay out all the wood parts on the inventory list.
- Build the kit on a workbench or cutting mat to prevent damage to your table.
- Use a spare piece of wood to set the pins in place (string tool works great) or lightly tap with a hammer.

Section 1 – Wood Parts

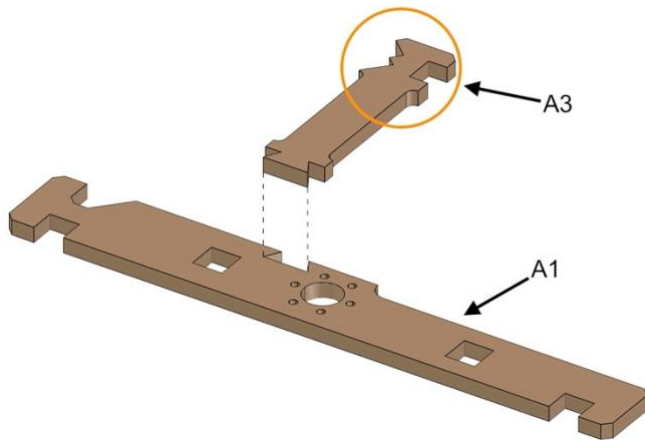


Fig. 1

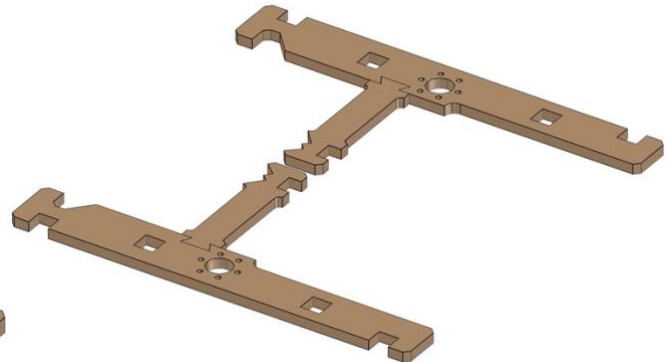


Fig. 2

- Align parts exactly as shown in *Fig. 1*.
- The orange circle highlights correct orientation.
- Attach the A3 piece to the A1.
- *Fig. 2* shows the completed process (make two parts).

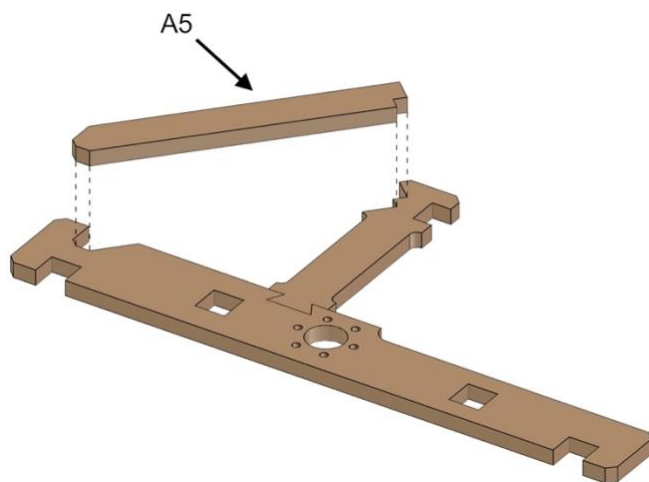


Fig. 3



Fig. 4

- Align parts exactly as shown in *Fig. 3*.
- Attach the A5 piece.
- *Fig. 4* shows the completed process (make two parts).

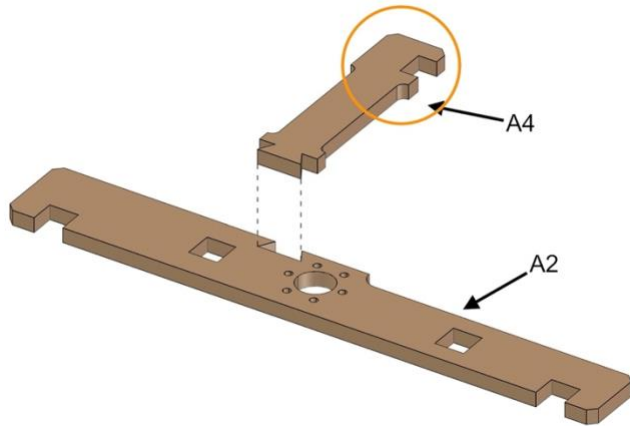


Fig. 5

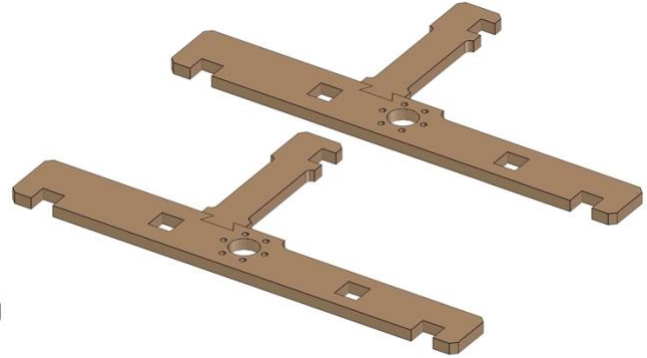


Fig. 6

- Align parts exactly as shown in *Fig. 5*.
- The orange circle highlights correct orientation.
- Attach the A4 piece to the A2.
- *Fig. 6* shows the completed process (make two parts).

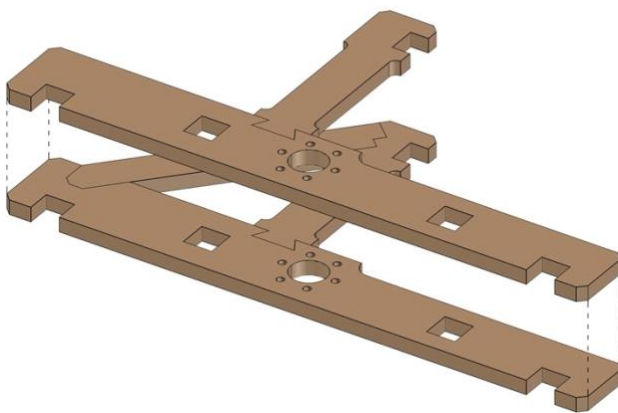


Fig. 7

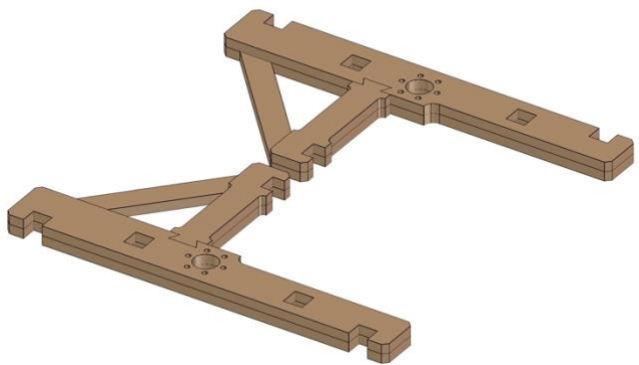


Fig. 8

- Align parts exactly as shown in *Fig. 7*.
- Place the A2/A4 part on top of the A1/A3.
- *Fig. 8* shows the completed process (make two parts).

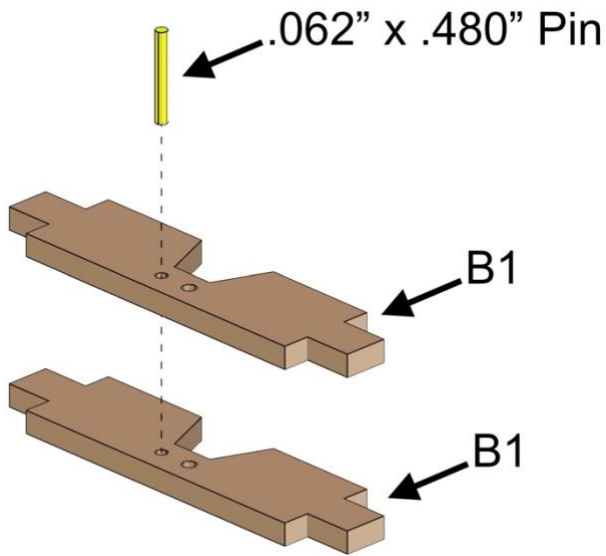


Fig. 9

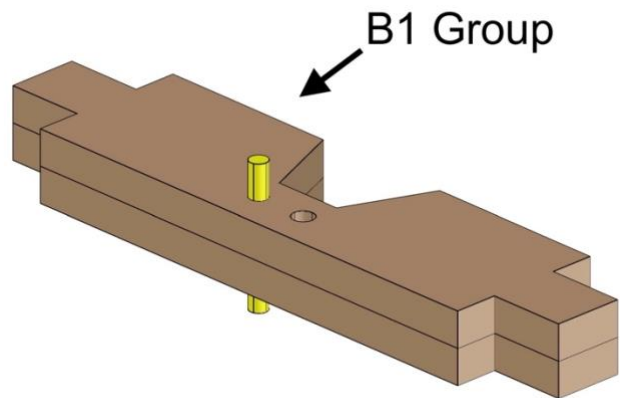


Fig. 10

- Align parts exactly as shown in Fig. 9.
- Insert one .062 x .480 pin.
- Fig. 10 shows the completed process.

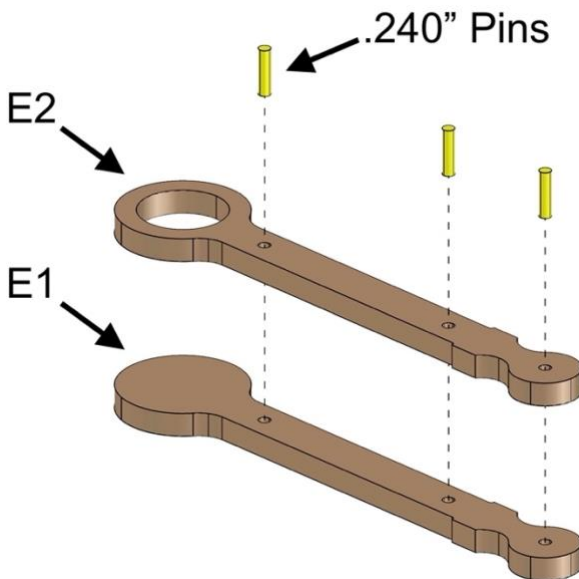


Fig. 11

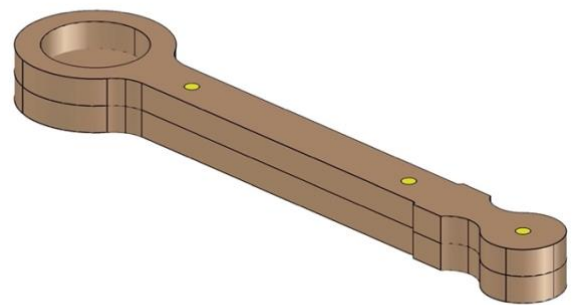


Fig. 12

- Align parts exactly as shown in Fig. 11.
- Insert three .240" pins.
- Fig. 12 shows the completed process.

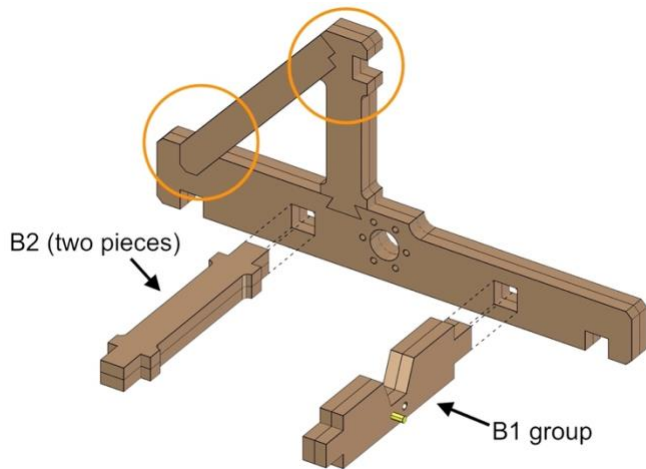


Fig. 13

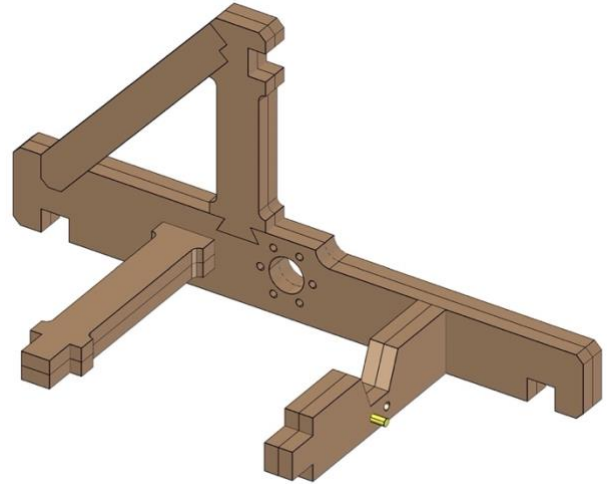


Fig. 14

- Align parts exactly as shown in *Fig. 13*.
- The orange circle highlights correct orientation.
- Attach two B2 pieces and the B1 Group.
- *Fig. 14* shows the completed process.

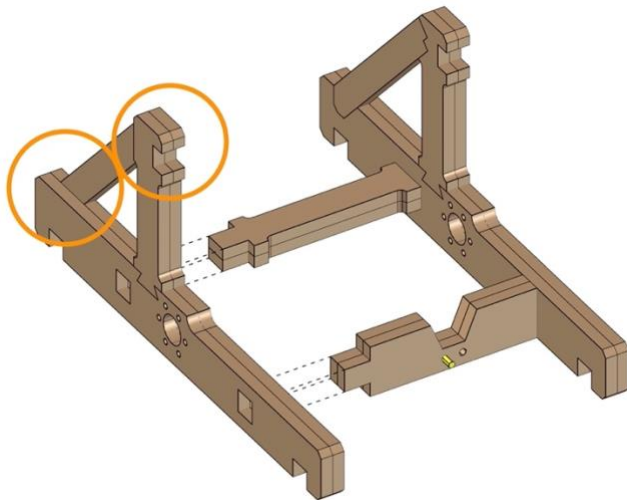


Fig. 15

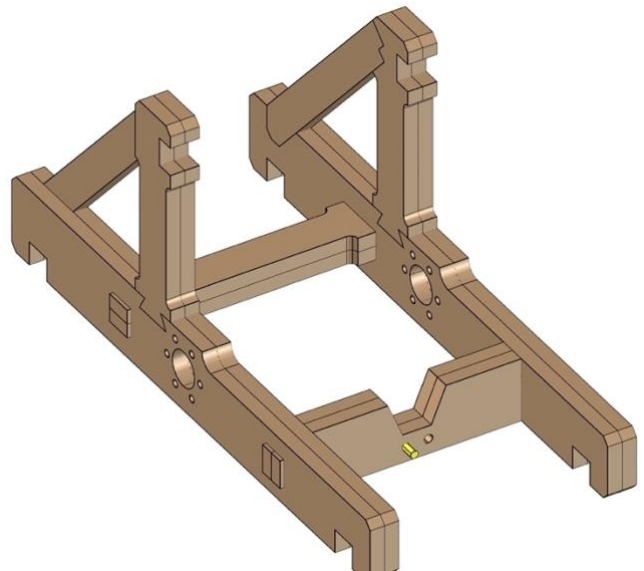


Fig. 16

- Align parts exactly as shown in *Fig. 15*.
- The orange circle highlights correct orientation.
- Attach the parts together.
- *Fig. 16* shows the completed process.

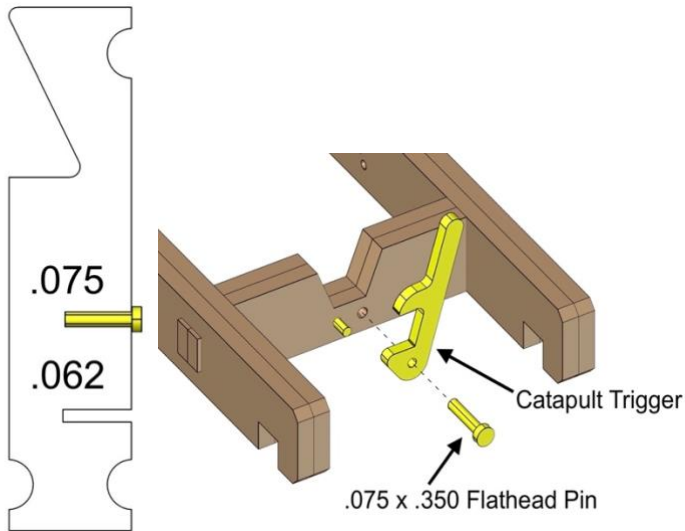


Fig. 17

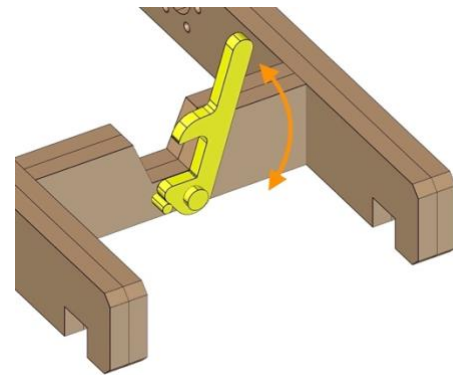


Fig. 18

- Align parts exactly as shown in *Fig. 17*.
- Insert a .075 x .350 Flathead pin to the Catapult Trigger.
- Attach the Trigger and pin to the Catapult.
- *Fig. 18* shows the completed process.

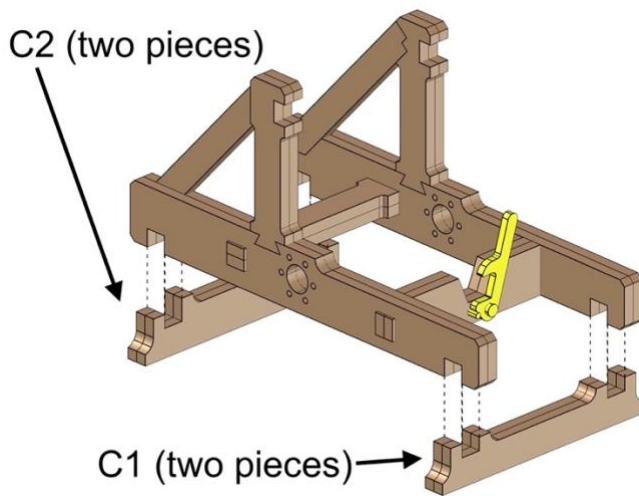


Fig. 19

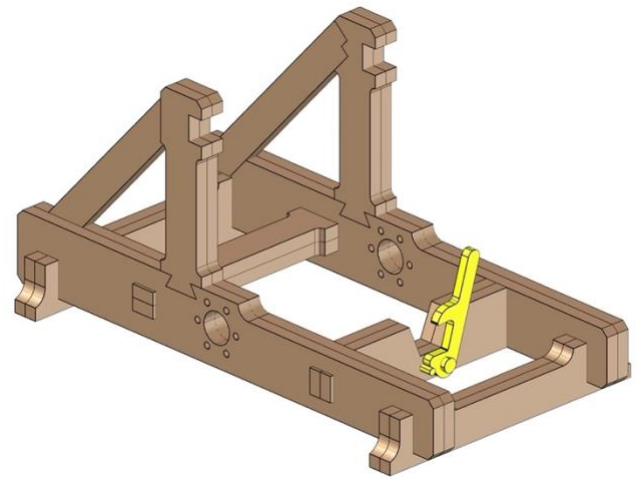


Fig. 20

- Align parts exactly as shown in *Fig. 19*.
- Attach the C1 and C2 pieces.
- *Fig. 20* shows the completed process.

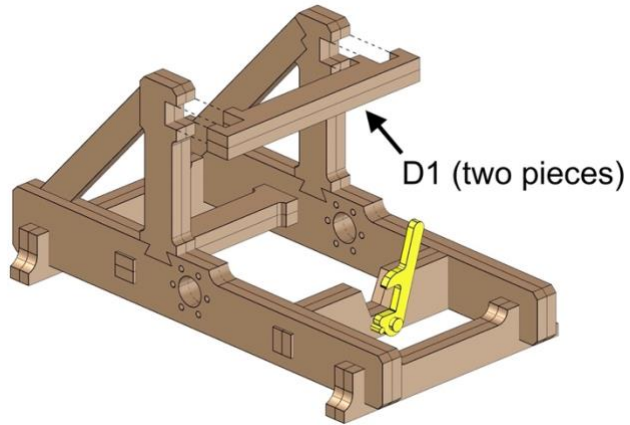


Fig. 21

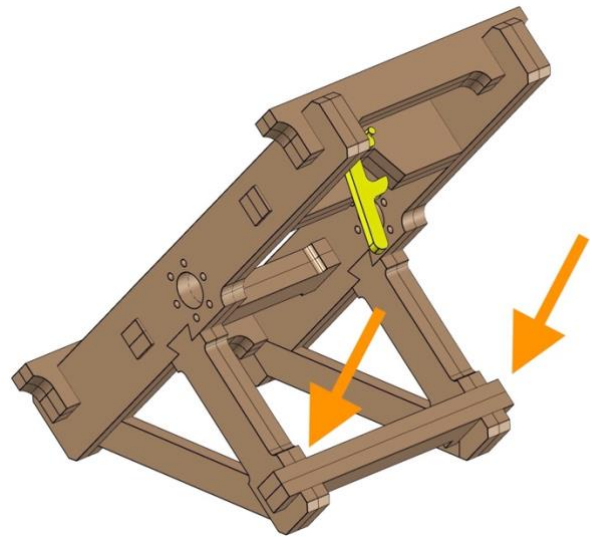


Fig. 22

- Align parts exactly as shown in *Fig. 21*.
- Attach the D1 pieces.
- If needed, use a hammer or a piece of wood to push down on the part (*Fig. 22*).

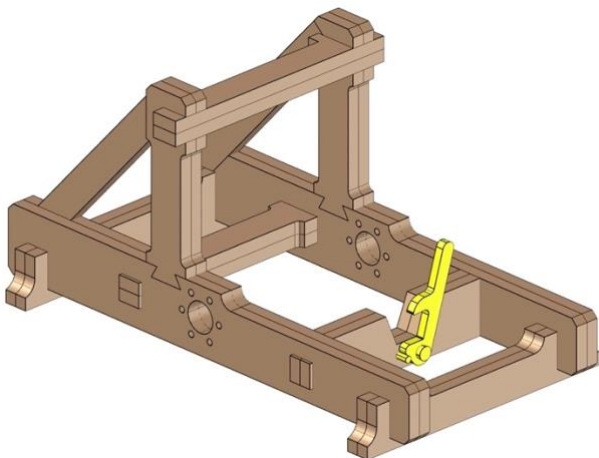


Fig. 23

- *Fig. 23* shows the completed process.

Section 2 – String

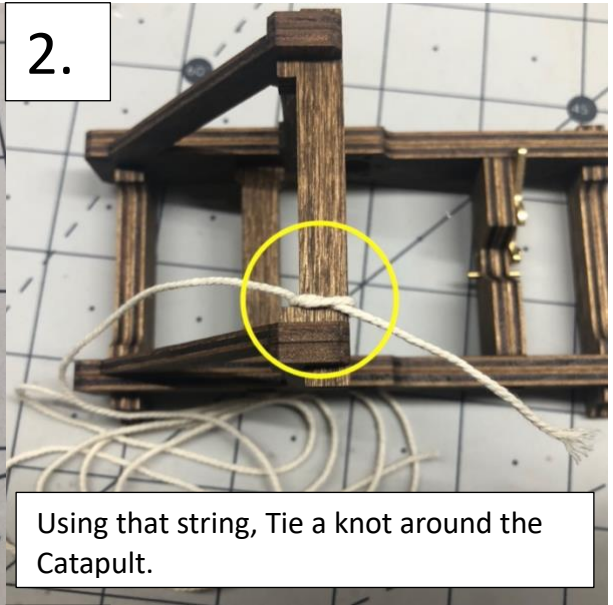
1.

Wrap string around the String tool 7 times.



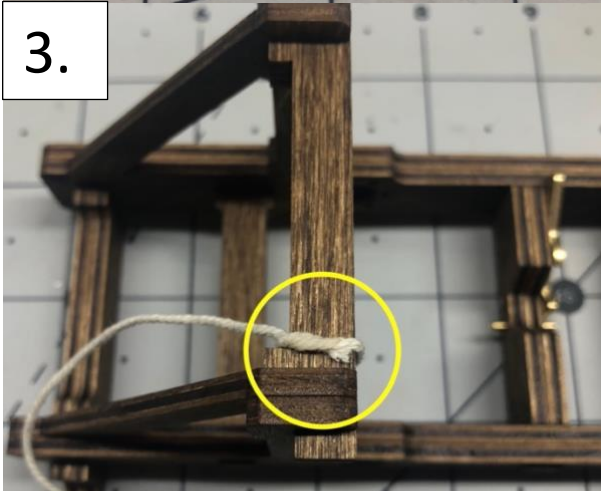
2.

Using that string, Tie a knot around the Catapult.



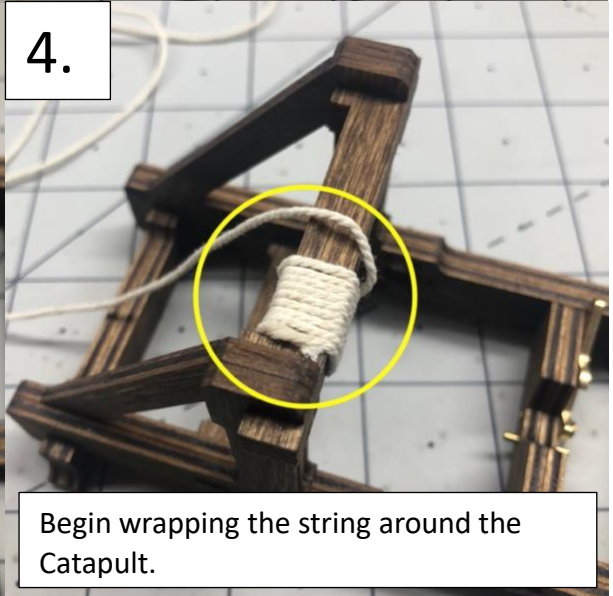
3.

Secure the knot with Superglue and trim off the excess string.



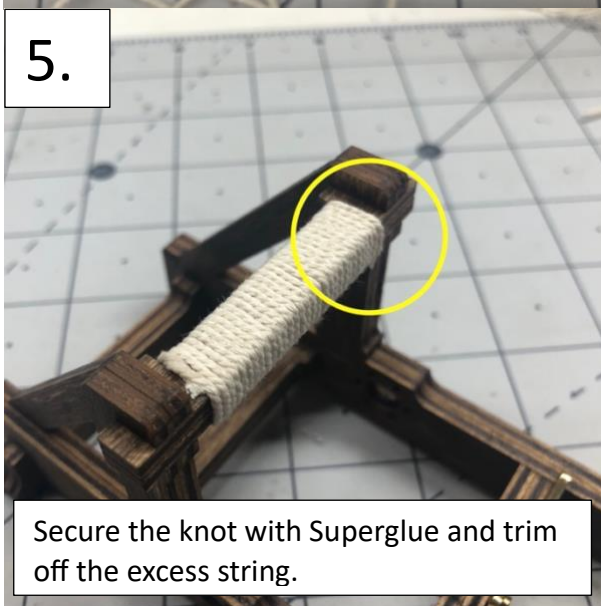
4.

Begin wrapping the string around the Catapult.



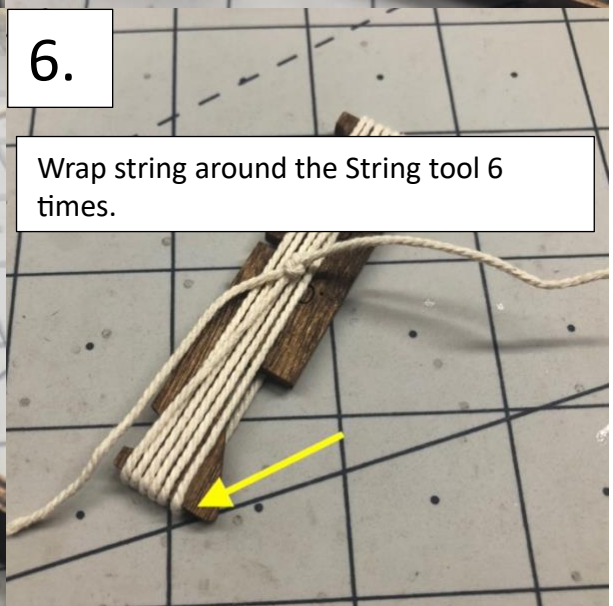
5.

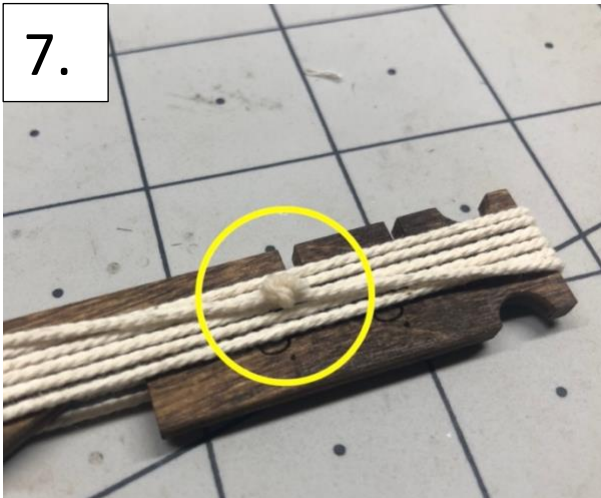
Secure the knot with Superglue and trim off the excess string.



6.

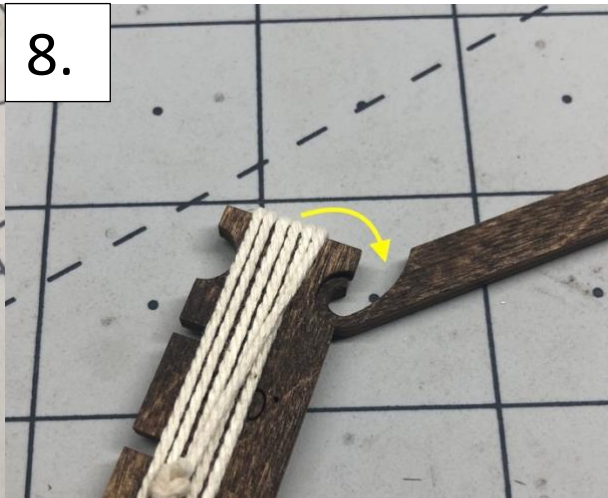
Wrap string around the String tool 6 times.





7.

Secure the knot with Superglue and trim off the excess string.



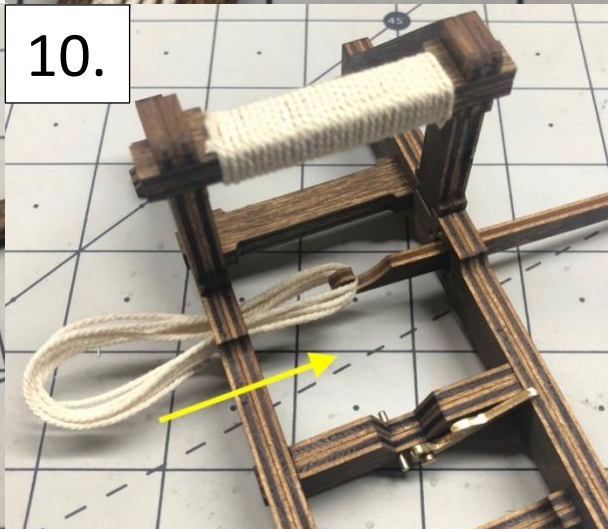
8.

Push the string onto the Hook Tool.



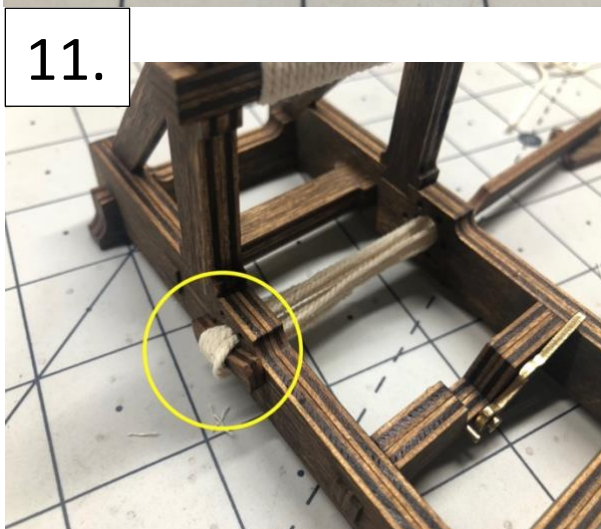
9.

Using the Hook Tool, remove the string.



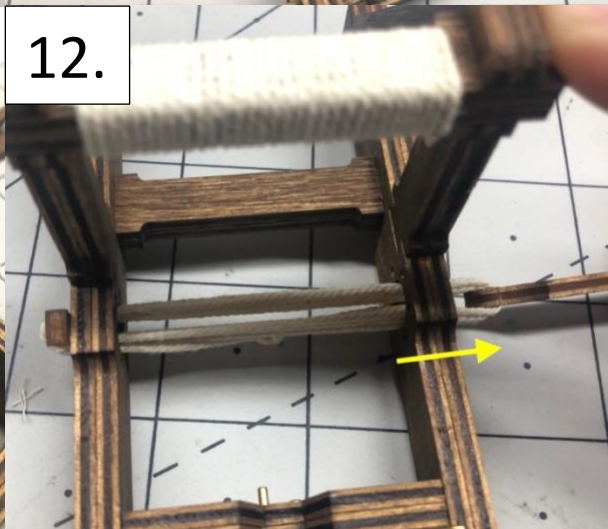
10.

Thread the string through the Catapult.



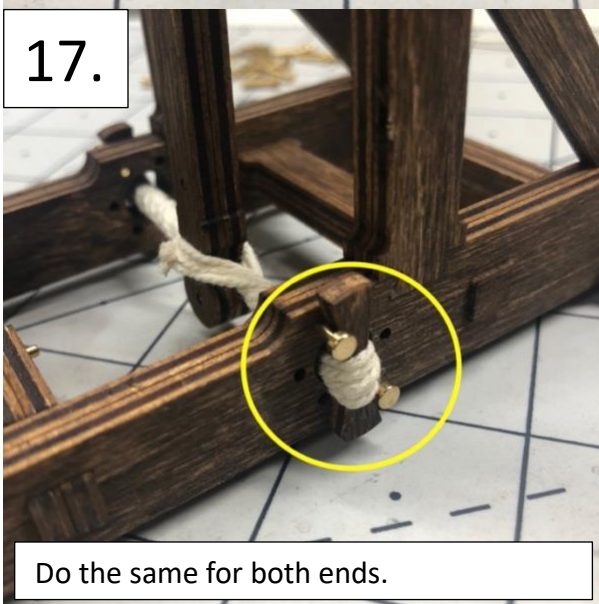
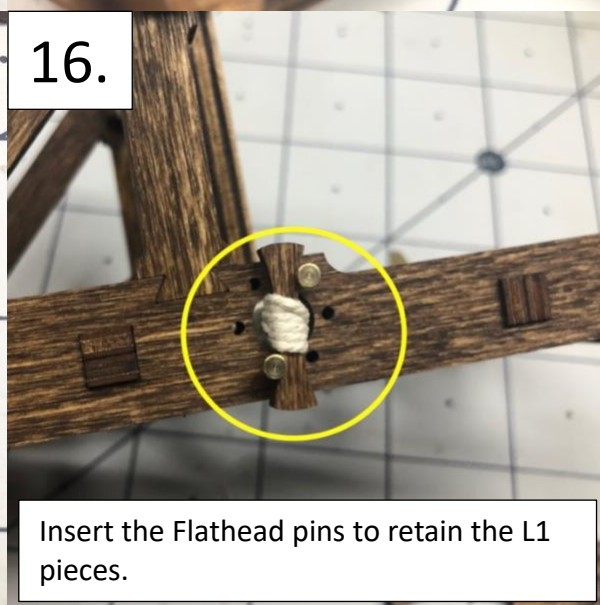
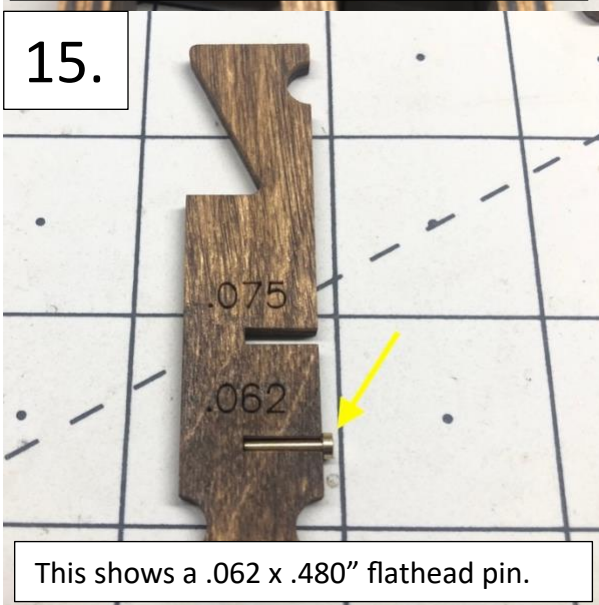
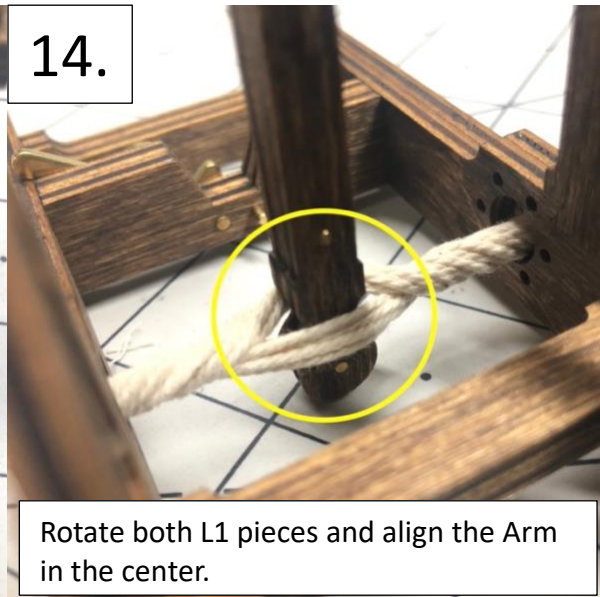
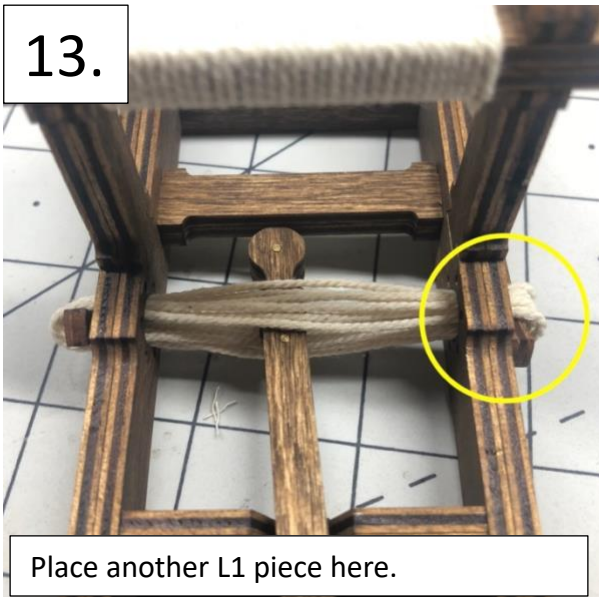
11.

Place a L1 piece here.

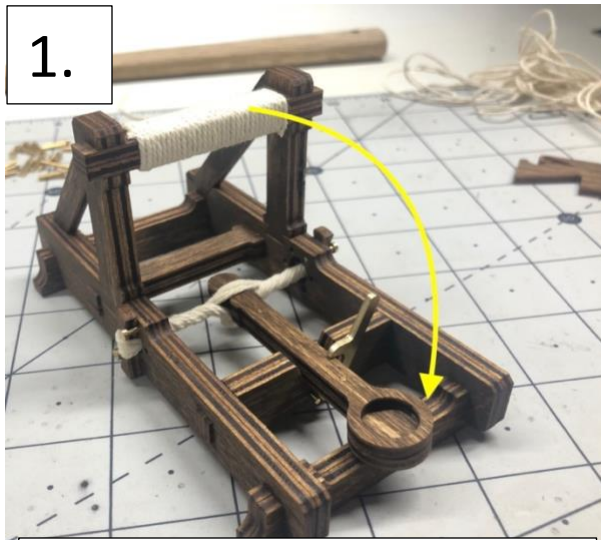


12.

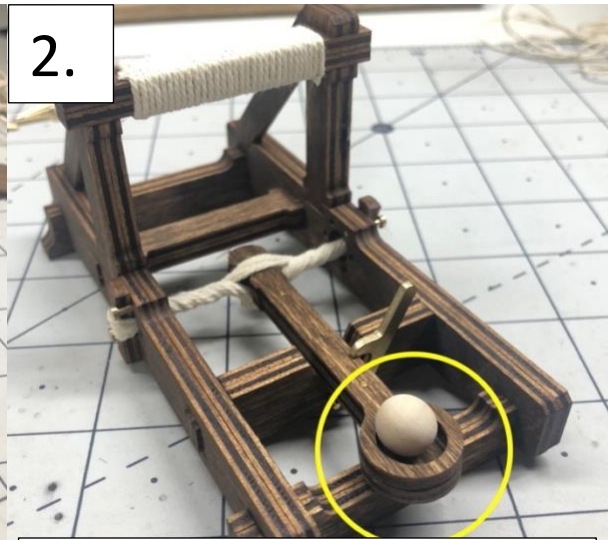
Pull the String tool through the Catapult.



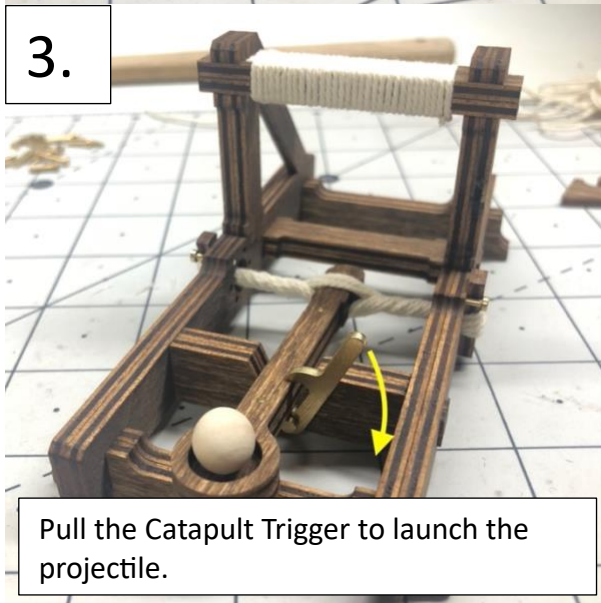
Section 3 – Operation



Pull back the throwing arm.



Place a projectile on the arm.



Pull the Catapult Trigger to launch the projectile.